

**AB-2000**  
**ANTIBURGLARY DEVICE**  
**INSTALLATION AND OPERATING INSTRUCTIONS**

**WARNING**

1. For safe and reliable operation read all instructions fully before installing.
2. Do not install the AB-2000 in areas where infants or physically handicapped people are normally present.
3. Do not install in buildings where multiple tenants share a common ventilation system.
4. Do not install in aircraft or in passenger compartments of trucks or autos.

**DESCRIPTION OF OPERATION**

The AB-2000 is a 4 oz. charge of irritating spray that is actuated by a black nylon trigger line. When a tension of 1 to 2 pounds is applied to the trigger line, the trigger bar swings out and drops free of the unit. The spray is discharged upward from the top of the AB-2000. Once activated the AB-2000 will continue to fire until the can is empty (approximately 20 seconds). This volume of gas is sufficient to permeate and control up to 16,000 cubic feet (2000 sq. ft.) of unobstructed indoor space. The AB-2000 is designed for indoor use only. Operation may be impaired by rain or moisture.

**APPLICATIONS**

The AB-2000 is ideal for use in the following areas:

Residences	Hunting Lodges	Warehouses
Vacation Homes	Truck Cargoes	Farms
Business Offices	Storage Sheds	Garages
Retail Shops	Barns	Boats

The AB-2000 can be rigged directly to such things as antiques, computers, TV's, VCR's, safes, file cabinets, windows, doors, garage doors, and cellar doors.

**INSTALLATION**

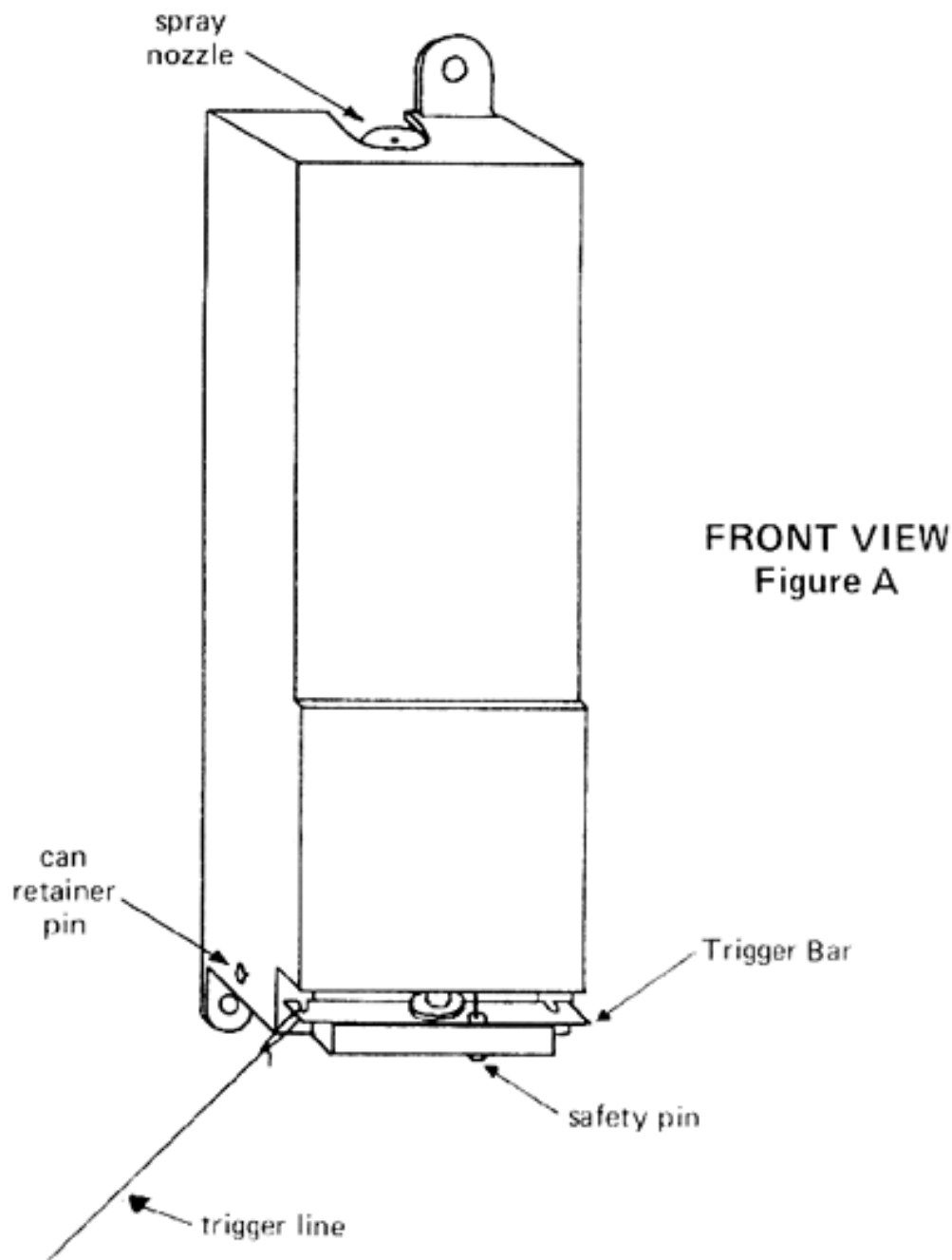
The AB-2000 is shipped with a protective cap on the spray can. This cap should be left on until you are ready to load the unit. The AB-2000 is packaged with the can inside. **The can should be removed from the housing prior to installation.**

To protect a room the AB-2000 should be mounted on the wall in a vertical position at ankle height. Screws are provided for mounting the AB-2000 on a wood surface. Other surfaces may require the use of molly bolts or lead anchors. The screw hook should be installed on the other side of the room at about the same height. The black nylon trigger line is then installed between the screw hook and the trigger bar. The AB-2000 and screw hook shall be located so that the intruder's likely path will bring him directly against the trigger line. A loop should be tied in both ends of the trigger line to simplify setting and unsetting. The loops should be adjusted so that the line is snug (no noticeable sag). The loop at the Terminator end of the unit can be slipped into either the right or left trigger bar notch as shown in Figure A. Before inserting the spray can you should check your installation by connecting the trigger line and removing the safety pin. The trigger

bar should remain fully inserted. If the trigger bar tends to slide outward, then the trigger line is too tight and should be loosened. Before installing the can you may test the installation by walking through the trigger line. The trigger bar should pull free of the AB-2000. To reset, hold the trigger bar as shown in Figure A. Using a screw driver, key or other similar object, push up on the actuator head from below until the trigger bar can be slipped under it. Adjust the trigger bar to a centered position and insert the safety pin.

After finishing installation and testing, the spray can may be installed. Note: while working with the spray can be careful not to press on the spray nozzle tab since that will release some contents. Note also that the spray can must be oriented properly within the AB-2000 housing as shown in Figure B. The end of the actuator wire must be centered over the nozzle tab. At this time remove the shipping cap and install the spray can observing the proper orientation.

Insert the can retainer pin through the small hole in the side of the casing. The pin passes under the bottom of the can and keeps the can in place. The can retainer pin is taped to the outside of the casing for shipment. The can retainer pin and safety pin are identical in size and shape.



The installation described above may be modified as desired. For example the trigger line may be connected to specific doors or windows or tied to a specific item so that the can is discharged only when someone tries to move that item. Additionally a second trigger line may be attached to the other end of the trigger bar going in another direction to control another area or item. Note: Multiple trigger lines should not be run in opposite directions since tension on one line may be cancelled by tension in the other line. Multiple line installations should be tested as described above after first removing the can.

Trigger line direction changes may be made by using a screw eye. No more than one direction change is recommended. Trigger line lengths in excess of 16 feet should be avoided.

For special requirements tilting the AB-2000 up to 45° from the vertical is permissible and should still give satisfactory results.

## HELPFUL HINTS

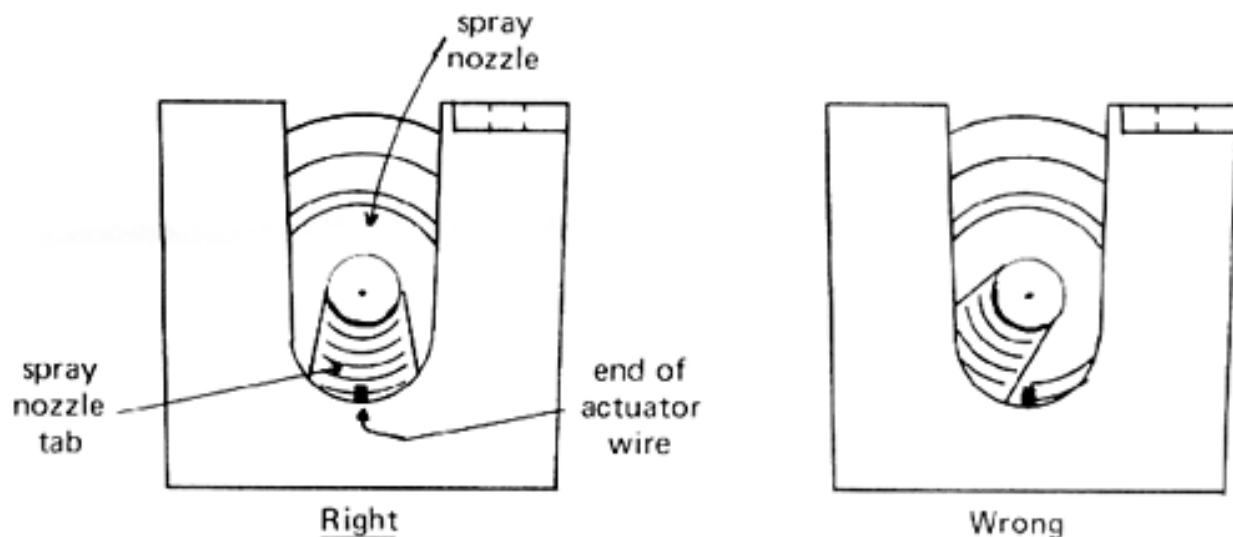
1. If you desire a lighter trigger force put a little grease on the trigger bar.
2. In applications where vibrations may cause the can to rotate out of position, place a piece of tape across the bottom of the can and can retainer pin.

## RESETTING

When a AB-2000 has been discharged the spray can must be replaced before the unit can be reused. Replacement cans are available from REVEL TECHNOLOGY and include instructions for replacement. Do not use anything other than a REVEL TECHNOLOGY replacement can since poor performance and damage to furnishings could result.

## CLEARING IRRITANT AFTER DISCHARGE

Open windows in the affected area to achieve maximum natural cross ventilation. Close doors to unaffected areas if practical. The clearing process can be hastened by using window or roof fans to exhaust the gas filled air to the outside atmosphere.



**SPRAY CAN ORIENTATION**  
**Top View**  
**Figure B**

If airing out during cold weather, turn up the thermostat. Additional heat will help to clear the gas more quickly.

Some of the active ingredients may settle near the points of discharge. A mild detergent solution will help neutralize the active ingredients.

If you happen to be in an area where a AB-2000 is discharging, DON'T PANIC — DON'T RUN — SLOWLY MOVE TO THE NEAREST EXIT.

### **TREATMENT FOR EXPOSURE TO IRRITANT**

For light or indirect exposure simply move to an unaffected location. The irritation should subside quickly and disappear within 15 minutes.

If you are sprayed directly, flush the affected area with cool clear water. Do not rub. Remove any saturated clothing. Never apply salves or creams to the affected areas since this would only trap the irritant against the skin surface. If the symptoms persist see a physician. When using water flushing on a person who wears contact lenses, be certain to remove the contact lenses before flushing the eyes.

Note: Allergy sufferers may have extra sensitivity.

### **LIMITED WARRANTY**

This warranty is exclusive and in lieu of all other warranties whether expressed, implied or statutory. Revel Technology, Inc. hereafter referred to as Revel warrants its products for 90 days from the date of shipment.

Revel, in these instructions and all advertising and descriptive literature, has attempted in good faith, to accurately convey the operation, capabilities, and limitations of its products to the purchaser. Judgement concerning suitability and safety for use of its products in any particular application rests solely with the purchaser.

Revel's liability, arising out of the supplying of such products, or their use, whether on warranties, due to negligence or otherwise, shall not in any case exceed the cost of correcting such defects, or replacing such defective product with the same, or similar, product of equal or greater value which is being manufactured at the time replacement is made.

This limited warranty shall not apply to any part of any product which shall have been abused or misused physically or electrically, or whose appearance has been modified. In no event shall Revel be liable for consequential damages nor for any amount in excess of the net price of the products found to be defective or not in conformance with applicable specifications.

With respect to products found to be defective or not in conformity with applicable specifications, the product will be repaired or replaced and shipped back at Revel's expense.

### **REVEL TECHNOLOGY, INC.**

832 West 1st Street     Birdsboro, PA 19508  
(610) 582-1730